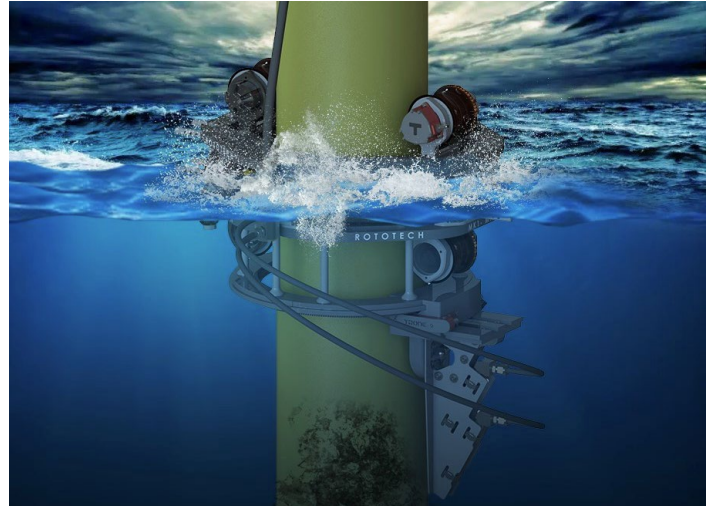


Roto Climber MK 1 Mini

The Roto Climber MK 1 Mini is the natural progression of its larger counterparts, designed for the cleaning and inspection of smaller pipes from 6" to 12" in diameter. The lightweight and compact design means the battery powered unit is delivered in just three pelican cases and requires no platform deliverables.

Built with new composite materials, the Roto Climber MK 1 Mini is fitted with an array of sensors and tools, including three high resolution cameras, sensors to detect and map defects as well as a Caviblaster cleaning system to protect coatings. Entirely self-contained, each unit is effortless to install and recover.



Camera system

- 3 x DWE Explorer HD 2.0 units
- Image sensors: Sony IMX323 1/2.9
- Resolution: 1920 x 1080 px
- Viewing angle: 150 degrees diagonal (in water)

UT probe

- Cygnus ROV Mountable 2K ultra sonic thickness gauge.

Sensors

- Wheel encoders and two carriage encoders.

Cleaning systems

- Caviblaster 2040D with twin Caviblaster 1040 L nozzles.

Optional CP probe

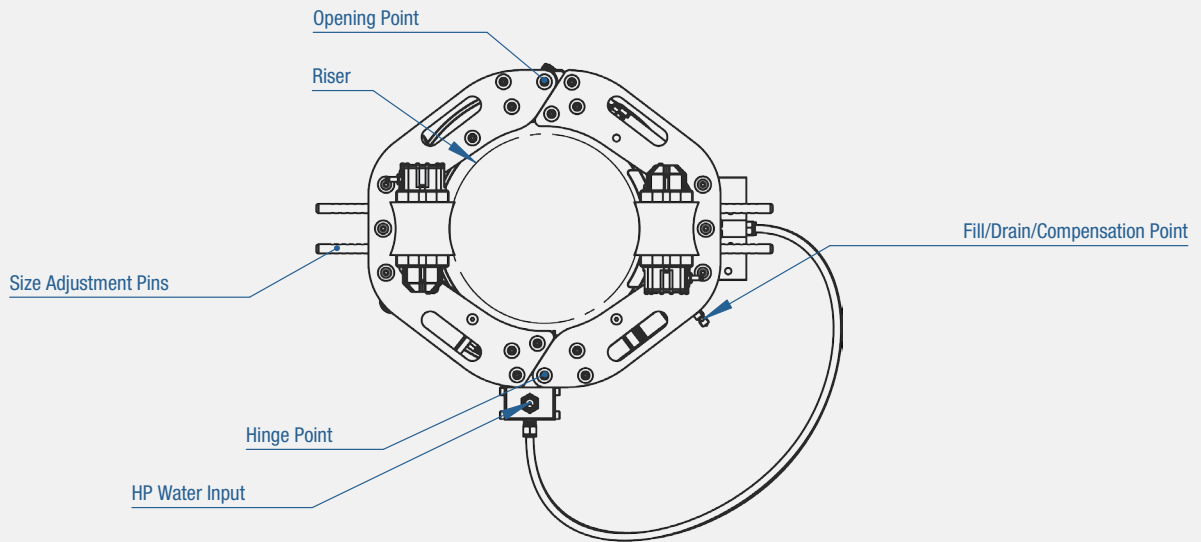
- Polatrak Deep C Metre 300
- No ROV interface
- Battery powered

Winches (lowering and recovery)

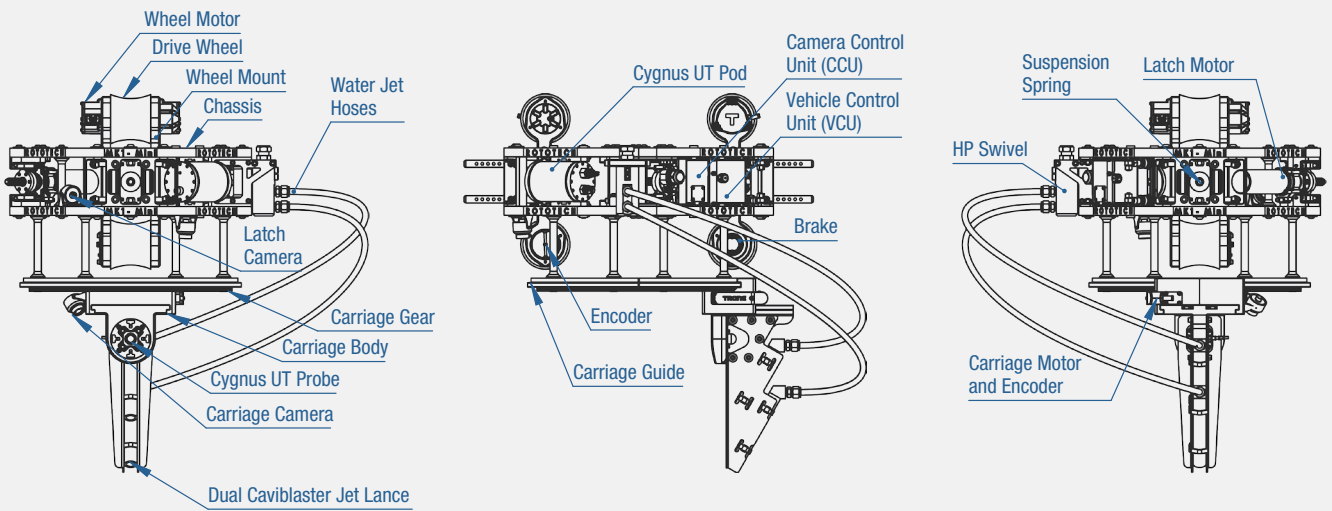
- Two Honor MRW 33 man riding winches
- Capacity: 150 kg
- Length of cable: 33 m

Pipe diameter range:	6" to 12.8"
Maximum collar bypass:	1"
Travelling speed:	200 mm / sec maximum
Carriage rotation:	115 seconds / 360° rotation
Dimension: (L x W x H):	650 x 650 x 850 mm
Weight:	42 kg
Depth rating normal:	30 m
Depth rating extended:	50 m

Roto Climber MK1 Mini - Top View



Roto Climber MK1 Mini - Side Views



Left View

Front View

Right View